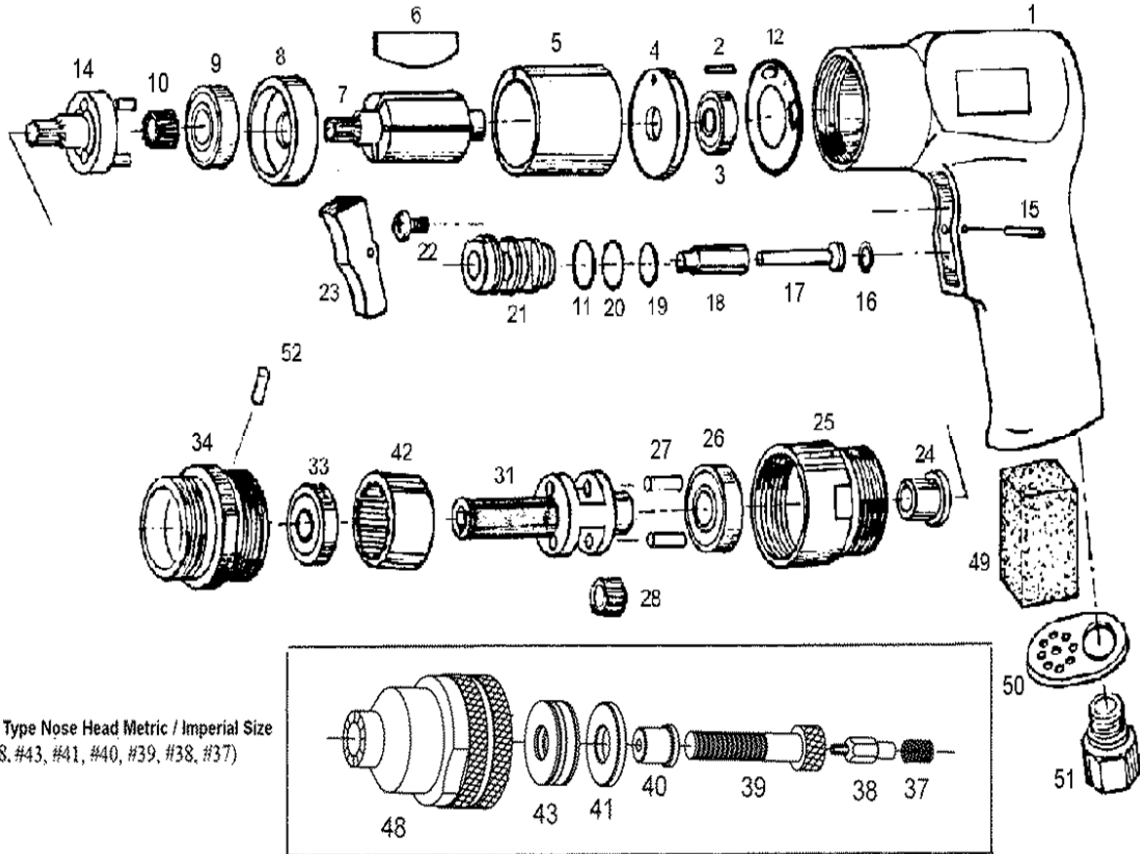


GP-0620

AIR PULL SETTER - 350rpm



"B" Type Nose Head Metric / Imperial Size
(#48, #43, #41, #40, #39, #38, #37)

PARTS NO. DESCRIPTION

01.	MOTOR HOUSING
02.	SPRING PIN
03.	BALL BEARING
04.	REAR PLATE
05.	CYLINDER
06.	ROTOR BLADE (5)
07.	ROTOR
08.	FRONT PLATE
09.	BALL BEARING
10.	PLANET GEAR (3)
11.	O-RING (2)
12.	MOTOR GASKET
14.	PLANET CAGE (7T)+PIN
15.	ROLL PIN
16.	O-RING (2)
17.	VALVE STEM (2)
18.	SLEEVE (2)
19.	O-RING (2)
20.	O-RING (2)
21.	THROTTLE BUSHING (2)
22.	SCREW
23.	TRIGGER
24.	BUSHING
25.	HOUSING
26.	BALL BEARING
27.	PLANET PIN (2)
28.	PLANET GEAR (18T) (2)

PARTS NO. DESCRIPTION

31.	PLANET CAGE
33.	BALL BEARING
34.	SCREW HOUSING
37.	SPRING
38-5.	HEX BIT M5
38-6.	HEX BIT M6
38-8.	HEX BIT M8
38-10.	HEX BIT M10
39M5.	BOLT M5P0.8
39M6.	BOLT M6P1.0
39M8.	BOLT M8P1.25
39M10.	BOLT M10P1.5
40-5.	BUSHING M5
40-6.	BUSHING M6
41A.	WASHER M5-M6
41B.	WASHER M8
42.	INTERNAL GEAR
43A.	NEEDLE BEARING M5-M8
43B.	NEEDLE BEARING M10
48M5.	NUT ANVIL M5
48M6.	NUT ANVIL M6
48M8.	NUT ANVIL M8
48M10.	NUT ANVIL M10
49.	MUFFLER
50.	DIFFUSER EXHAUST
51.	AIR INLET BUSHING
52.	PIN